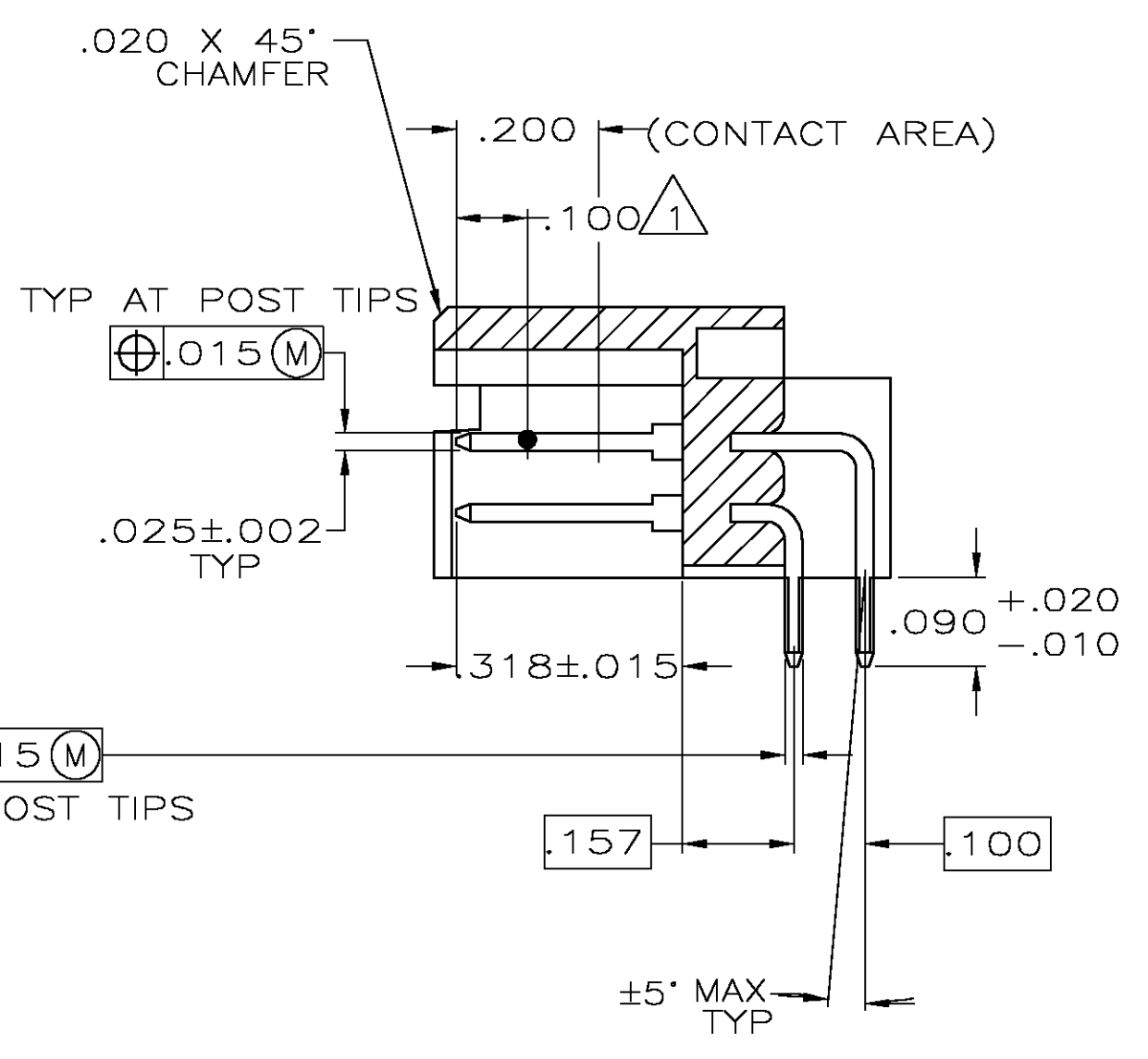
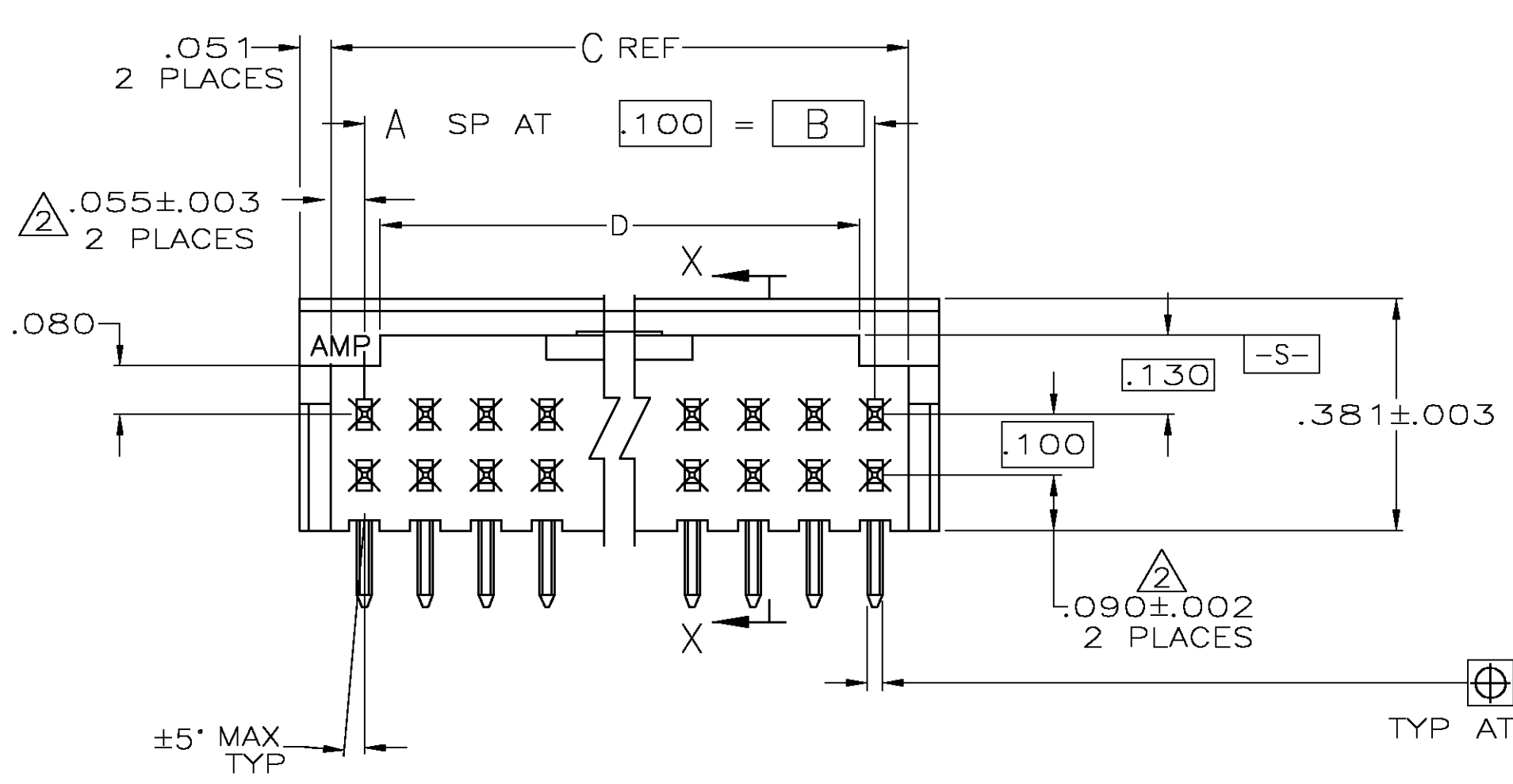


RECOMMENDED HOLE LAYOUT



SECTION X-X

- 1 POINT OF MEASUREMENT FOR PLATING THICKNESS.
- 2 THE NOTED DIMENSION APPLIES AT THE INTERSECTION OF THE POST AND HOUSING
- 3 .000100-.000200 MATTE TIN-LEAD OVER .000050 NICKEL ENTIRE POST
- 4 .000100-.000200 MATTE TIN OVER .000050 NICKEL ENTIRE POST
- 5 HOUSING: FLAME RETARDANT THERMOPLASTIC COLOR: BLACK
POSTS: PHOS. BRONZE

PLATING	4	.648	.810	.700	7	16	5-146247-1
	3	.648	.810	.700	7	16	146247-1
		D	C	B	A	NO OF POSN	PART NUMBER

THIS DRAWING IS A CONTROLLED DOCUMENT.

DIMENSIONS: INCHES	TOLERANCES UNLESS OTHERWISE SPECIFIED:	0 PLC ± -	1 PLC ± -	2 PLC ± .003	3 PLC ± .005	4 PLC ± -	ANGLES ± -
MATERIAL	SEE TABLE	WEIGHT	A1 00779 C=146247		RESTRICTED TO		

CUSTOMER DRAWING SCALE 4:1 SHEET 1 OF 1 REV D